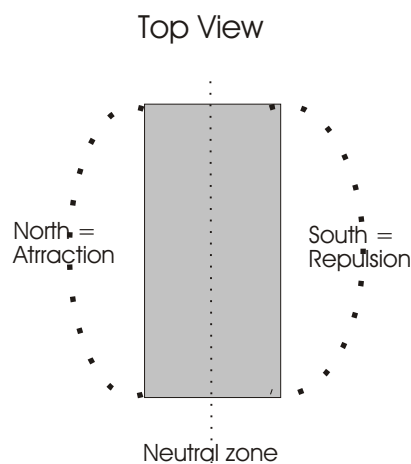


Permanent Magnet Motor Files

The Basic's

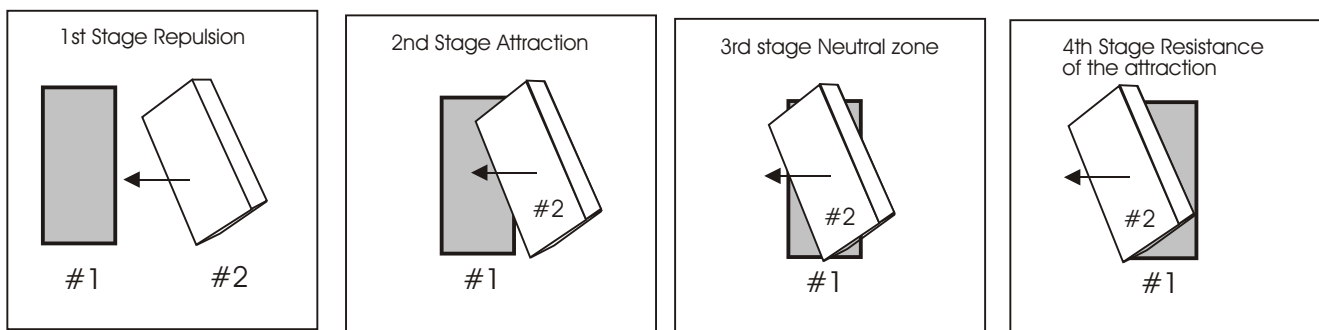
Let us start with the basic, The Attraction of a magnet (North) is always stronger than the Repulsion (South). So as an example, take two bar magnets from radio shack and place one on a table and tape it down were it will not move, then hold the other in your hand and angled it just right, keeping it spaced exactly 1/4" apart. then slowly entering the table top magnet sweeping over it with the other, you will see that the attraction is far greater than the resistance = repulsion..... in the diagrams below we have tried to illustrate exactly what is going on in these bar magnets.



Try this little experiment with 2 new radio shack bar magnets. Top magnet at a 45 degree angle from a front view and and a 35 degree angle from a top view.


Tape down bar magnet #1 to a table, then put a piece of plastic on top of that, now while holding magnet #2 angle as stated and sweep slowly across the #1 magnet.....

When entering the field there is a repulsion then an attraction then a neutral zone then a resistance of the attraction. now place a 3/8" piece of bar steel in front of #1 magnet and repeat experiment, Notice that the 1st repulsion is now very weak. even with out the steel bar the north is always stronger than the south or shall I say the attraction is always stronger than the repulsion (Resistance).



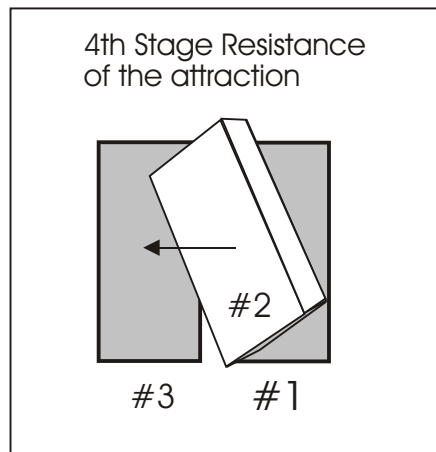
Permanent Magnet Motor Files



The Spacing is important,  Use at least a 1/8" to 1/4" space between magnets.

In the 1st stage there is a small repulsion taking place, But in the 2nd stage the attraction over comes that resistance as the magnet is moved into the 3rd stage. In the 3rd stage a neutral point is found where there is no pull or push.

Now something has to move it out of that neutral point and past the 4th stage and out of the field and that out side force (in this experiment) can be your hand. But in the linear carriage array experiment it will be the attraction (or the pull) of another up coming magnet placed right next to #1 magnet.....



Place the third magnet as so and that 3rd magnet will pull the #2 magnet out of the resistance of the 4th stage of the #1 magnet..... The whole point of our invention is that one magnet is always helping another magnet. This is very important in the design no matter how you choose to build it. Once this is achieved then from it you can now design a rotary type motor that will never stop.

Note: All we ask of you is that you build only one for yourself when your done. We'd love to know your progress or any improvements you may have, If you need any help you can sometimes get it by e-mailing us.

Permanent Magnet Motor Files

We have designed many different prototypes of this motor using this method. There is probably, nothing you could come up with that we have not already done or tried..

In these plans we are attempting to show you enough of our main ideas, so you can possibly build yourself a free energy magnet motor to impress your friends. You know, there is a lot of sceptics out there!

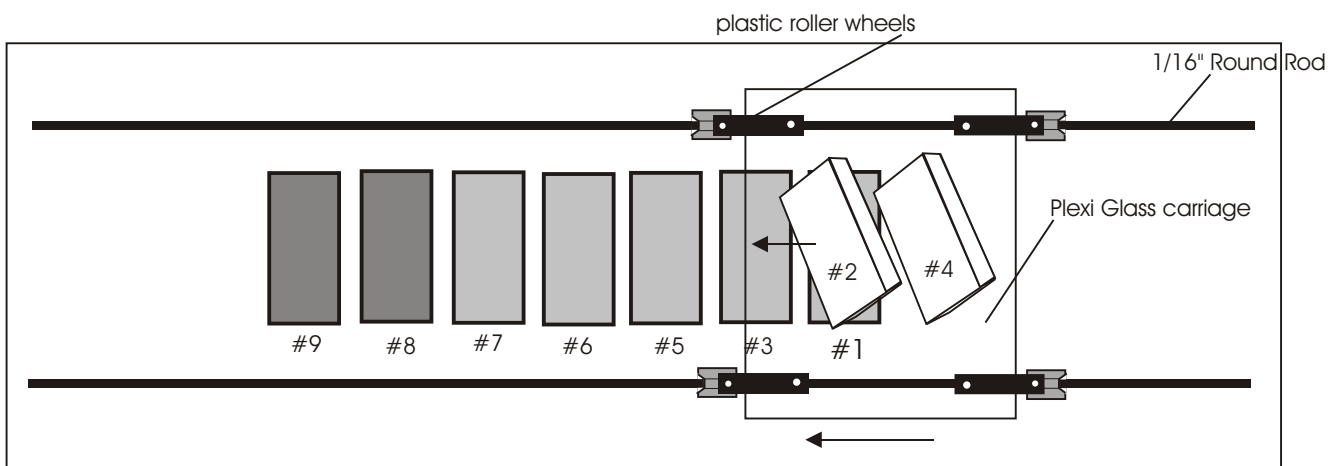
Model # A

Patent Pending

In Model #A we are showing you a linear type carriage motor, Do some experiments on your own 1st and build this Model and from there you will be able to put this design in a rotary type motor assembly. (Which is obvious) Notice: We do not give step by step plans for a rotary type motor not because it does not work but because we want to manufacture them some day and get the jump in the Free Energy market when it is allowed open....

Please note, if you feel like you have come up with something that will greatly improve the efficiency of this motor, then please contact us and we will include you in as a share holder if we find it is useful.

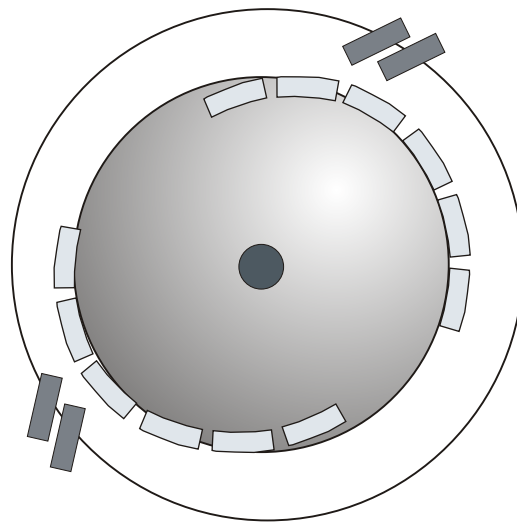
Model #A



#2 and #4 Magnets are glued to plexi glass carriage, all parts can be bought at any hardware store. The base is a wood base 2" x 8" x 24" We have a VHS Video of this model and experiment Model#A Video \$19.95

#8 and #9 Magnets are slanted or curved downward away from carriage.

#2 and #4 is glued or silicone to plexi glass carriage, they must be spaced just right. when #2 has just arrived at the 4th stage (Resistance of the attraction) Then # 4 magnet is placed just right where it will attract to the same magnet that #2 is stuck in and will pull and push the #2 out of the #1 magnets resistance stage and push it right into the attraction field of #3 magnet and the whole process is repeat again and again untill it reaches the end of #9 magnet, Now if # 8 and #9 magnet is not Slanted or curved from #2 and #4 magnet then there will be a great resistance than the attraction,
(hard to explain in writing) so when you do curve #8 and #9 magnets there will be very little resistance and the inertia of the moving carriage will over come it and move out of the array of magnets completely..... or as #2 and #4 enter the end of #9 and #8 curved magnets you can have another array and carriage (Rotor assembly) identical to this one on the other side of the rotor, Just entering the attraction field of #1 magnet.....



rotary type motor

The use of too many magnets to close together will result in creating a more powerful resistance, using the least amount of magnets per array is best, make sure each array is far from the other or it will create problems. For more horse power you can make the rotor longer and apply more arrays just as long as they are not too close to each other to cancel each other out. if you buy very strong and larger ceramic magnets you will get more horse power also. This Motor can be made up to 15 Hp and we believe beyond that if you have the money. a small inexpensive 10 hp motor can be designed to fit into a electric car to a 2 60 amp alternators to keep up the battery's to run the electric motor to run the car. a 1 to 2 hp motor can run your home.....

When building your magnet array if you use 7 magnets as seen on page 3 you will get a dead spot on #7 and #6, This is not a big problem once your rotary type engine is in motion. You can over come this by using less magnets, We can not tell you how you will have to experiment and find out on your own.....

Model #A

Curving the array, you must curve the array line of the magnets to miss the end resistance or slant them, this is very critical and must be done just right.....



Curved



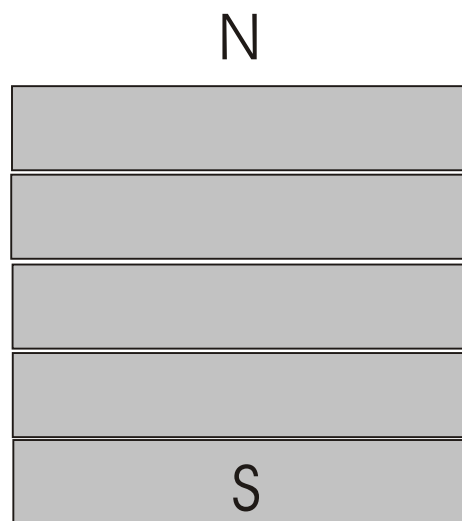
Slanted



Blockers are iron or steel placed between 2 magnets, the flux field is made alot less stronger and

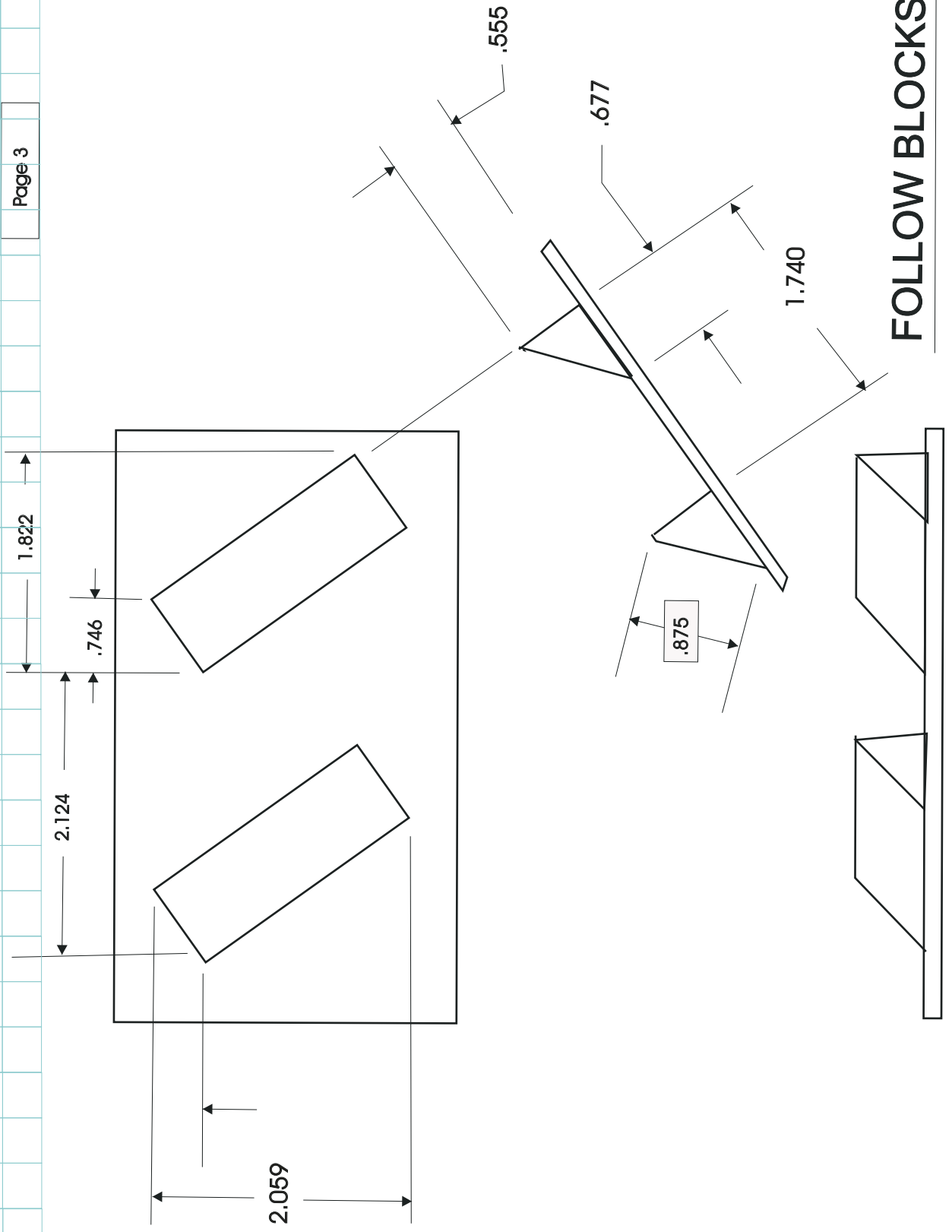
There are many many different ways to build this engine using this method that we have invented, many of you out there that know how an electric rotary motor works can build this very quickly using our methods that we have showed you. We have giving information that is worth allot more than \$14,95 information which you can use, (using our methods) to build your own Free Energy motor, all my life I knew there was a way in which you could use the free energy of magnets to help man kind, The answer was there all of the time just waiting to be found, I have heard of many other devices in which the inventors claim to have built a working permanent magnet motor and we do not know if they work or not, we have not tried some of them yet, Because we have been working on our own, time would not allows us.... There is one motor that we have seen on a video which a customer sent us, which is the Troy Reed motor, I do not have any information on how or why it works and hope someday we can obtain it in detail, I am very curious about this motor, seeing it on the video it looked like it really worked, and we have heard of some talk that they are going to manufacture them this year 1996, If they succeed in there efforts and the government and the oil companies allow them to,

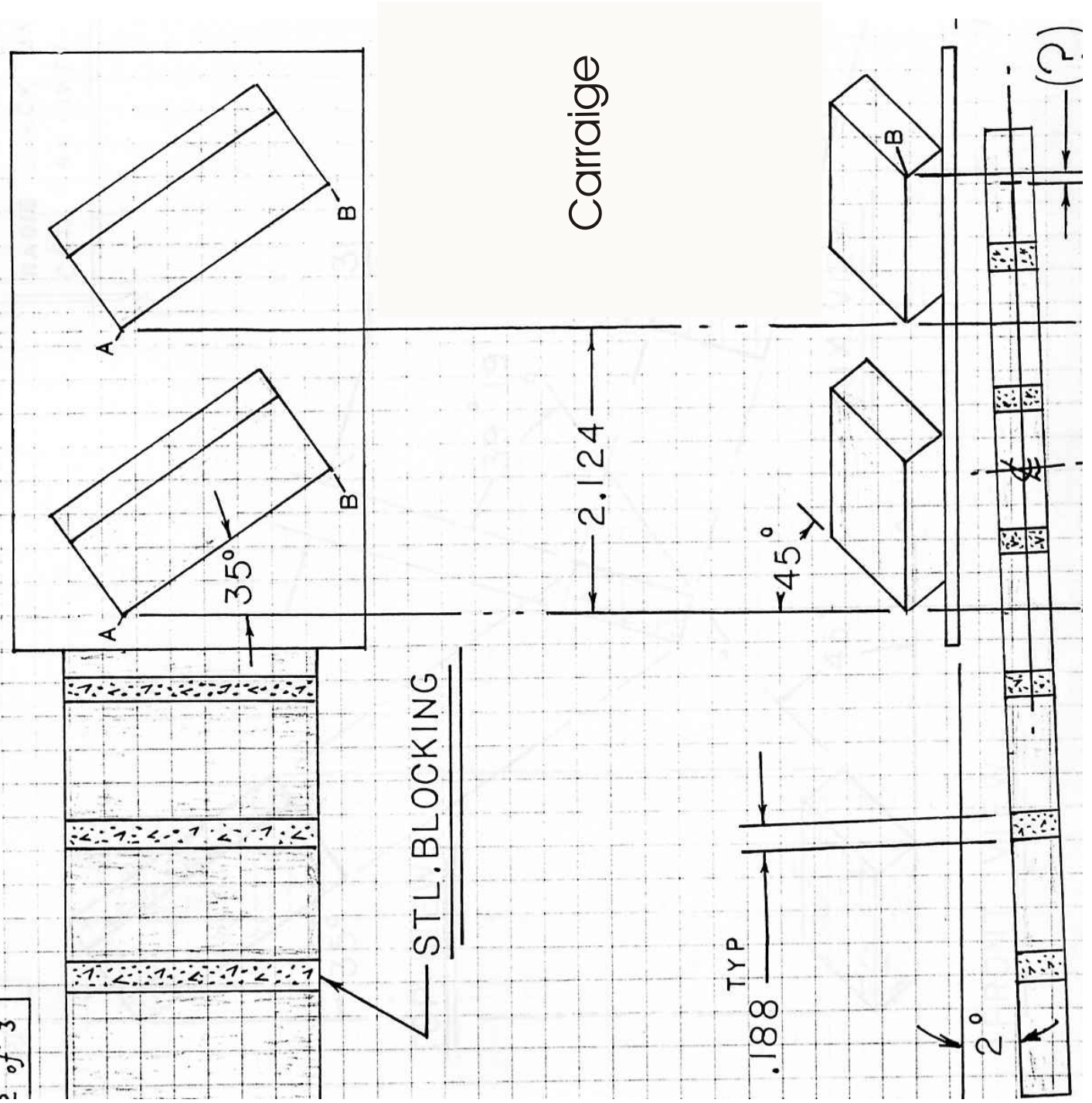
Also to obtain more horse power you can stack the radio shack bar magnets, This will give you much more power. and is easier to obtain if you can not find a good source for larger ceramic permanent magnets. Note: you will not need to stack the angled carriage magnets they will work just fine just using one.

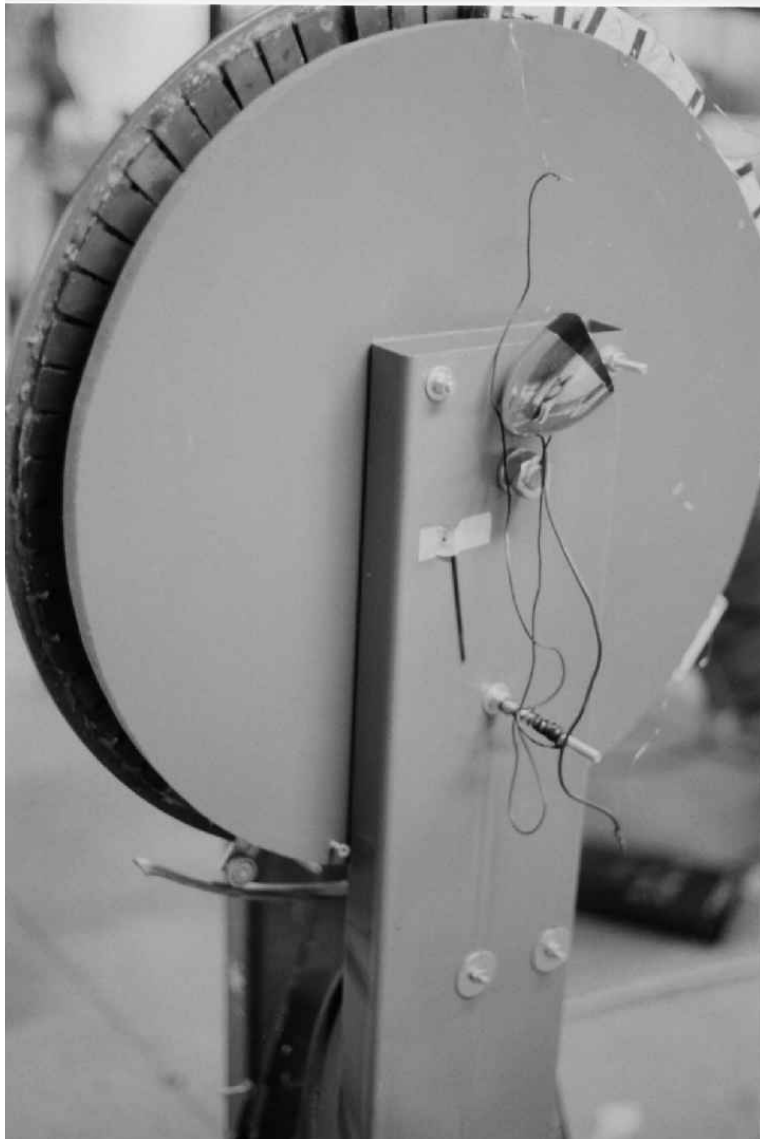


magnet stack

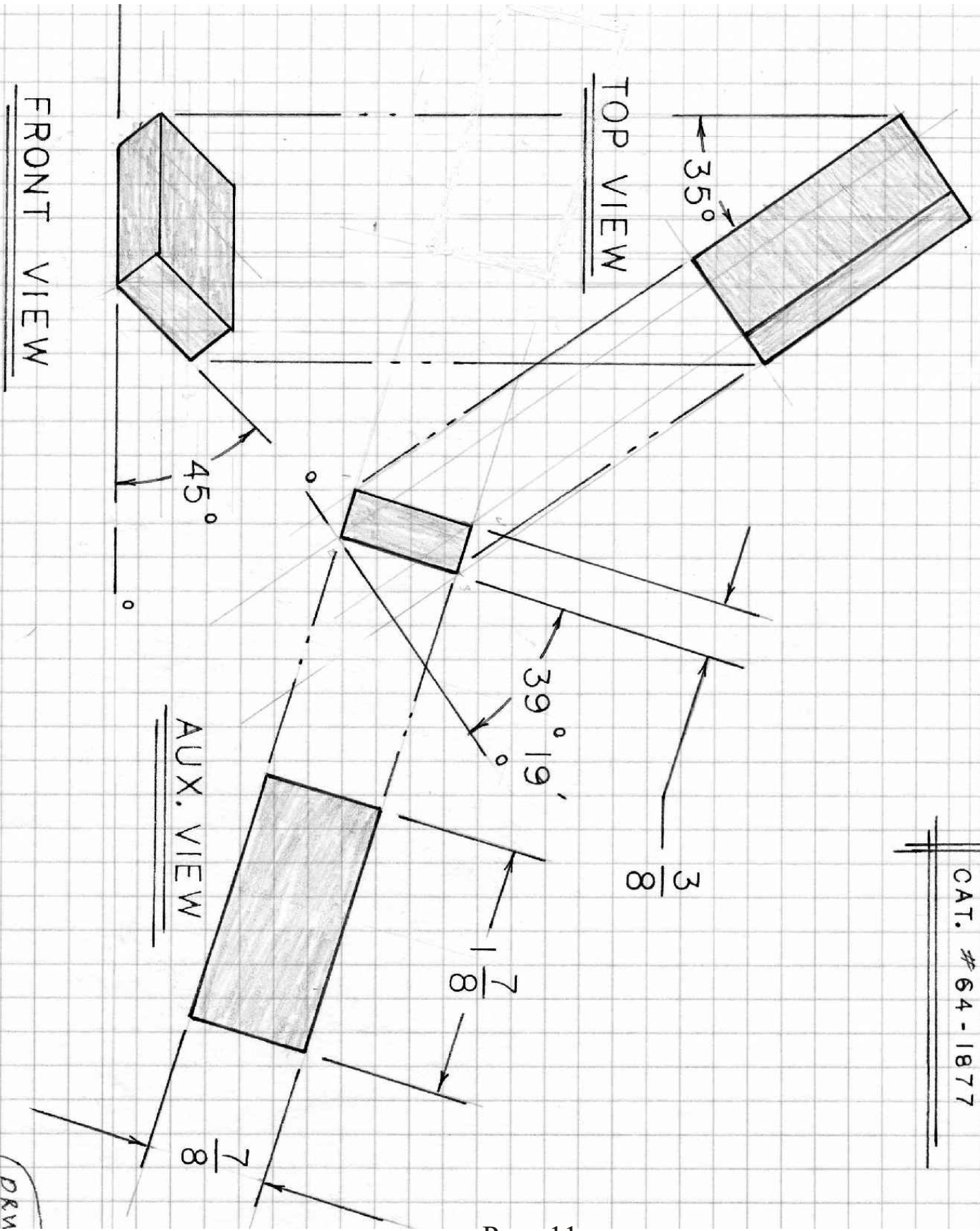
**Permenant magnet motors are very easy to build
don't give up before you start do it and you will have free energy forever.....**







RADIO SHACK MAGNET
CAT. # 64-1877



FRONT VIEW

TOP VIEW

AUX. VIEW

DRM

[54] **MAGNETIC MOTOR CONSTRUCTION**

4,972,112 11/1990 Kim 310/181
5,179,307 1/1993 Porter 310/268

[75] **Inventor:** **Charles J. Flynn, Kansas City, Mo.**

FOREIGN PATENT DOCUMENTS

[73] **Assignee:** **Magnetic Revolutions Limited L.L.C., St. Louis, Mo.**

210005 7/1960 Germany 310/181
0025153 2/1982 Japan 310/181
01521078 9/1982 Japan 310/152
0002840 1/1987 Japan 310/152

[21] **Appl. No.:** **902,952**

Primary Examiner—Clayton E. LaBalle
Attorney, Agent, or Firm—Haverstock, Garrett & Roberts

[22] **Filed:** **Jun. 23, 1992**

[51] **Int. Cl.⁶** **H02K 1/17; H02K 1/27; H02K 11/00; H02K 29/10**

[57] **ABSTRACT**

[52] **U.S. Cl.** **310/181; 310/152; 310/154; 310/156; 310/268; 310/68 B**

The present invention relates to an apparatus having spaced permanent magnets positioned so that there is magnetic interaction between them, and controlling the interaction by having a coil in the space between the permanent magnets connected to a source of electric potential and a controllable switch in series such that closing the switch places a voltage across the coil and predeterminedly affects the magnetic interaction between the spaced permanent magnets. The invention also teaches mounting one of the permanent magnets on a rotatable structure so that the spaced permanent magnets can move relative to each other, the controllable switch operating to control the application of electric potential across the coil in such a manner as to produce relative rotational movement between the spaced permanent magnets.

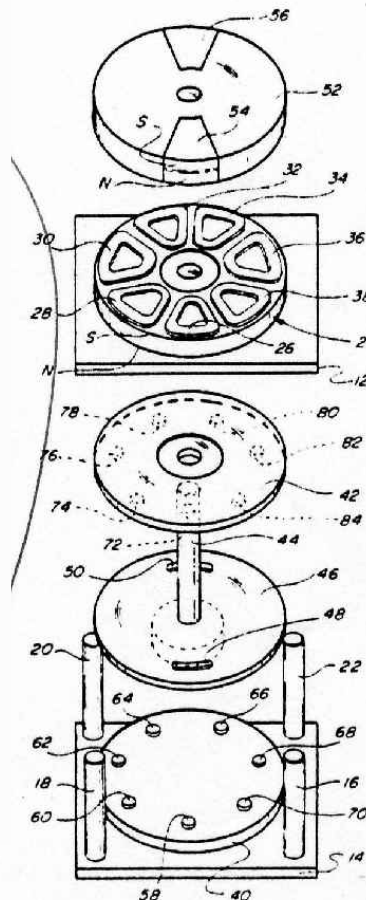
[58] **Field of Search** **310/68 B, 152, 310/154, 156, 181, 268; 335/126, 131, 272; 318/254**

[56] **References Cited**

U.S. PATENT DOCUMENTS

3,096,467	7/1963	Angus et al.	318/138
3,569,806	3/1971	Brailsford	318/254
3,670,189	6/1972	Monroe	310/181
3,796,039	3/1974	Lucien	310/268
3,883,633	5/1975	Kohler	310/152
4,151,431	4/1979	Johnson	310/12
4,187,441	2/1980	Oney	310/112
4,758,756	7/1988	Pouillange	310/152
4,875,110	10/1989	Kazama et al.	310/268

25 Claims, 7 Drawing Sheets



Other patents I have not yet got that Alexander G.

- * 5,436,518 oc
- * 3,913,004
- * 2,813,242 !
- 2,462,707 m

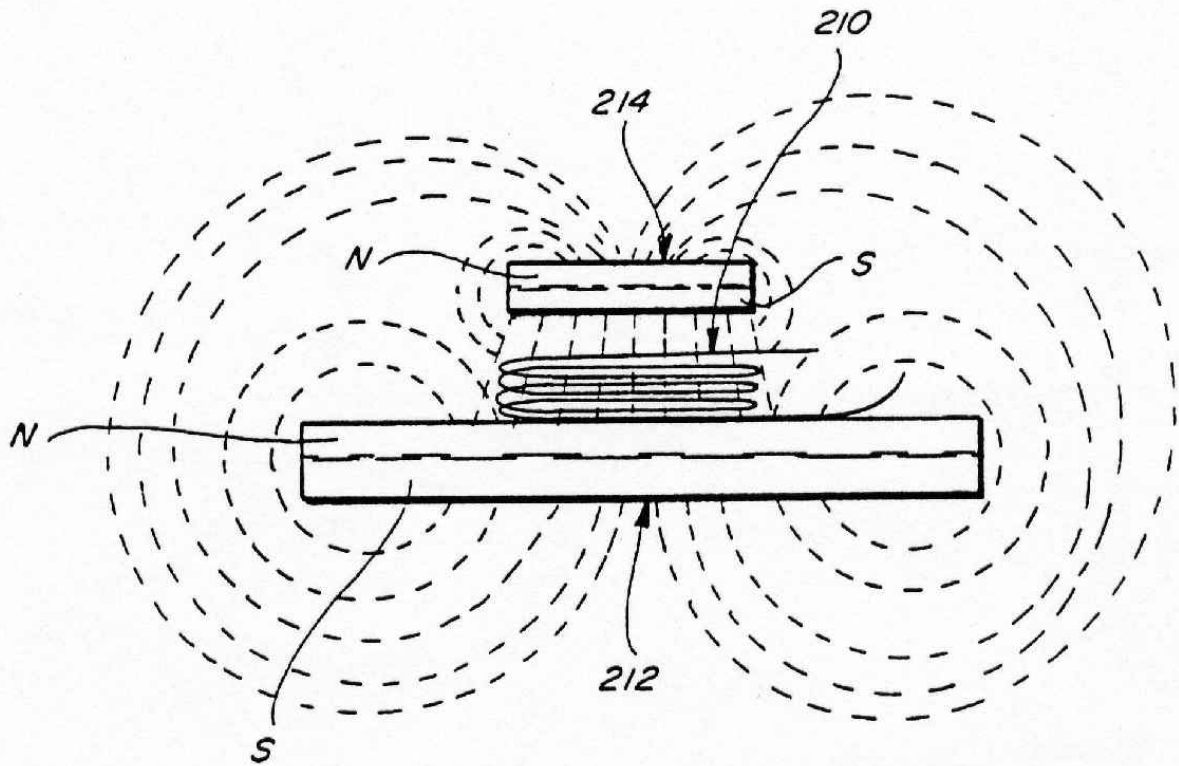


Fig. 20

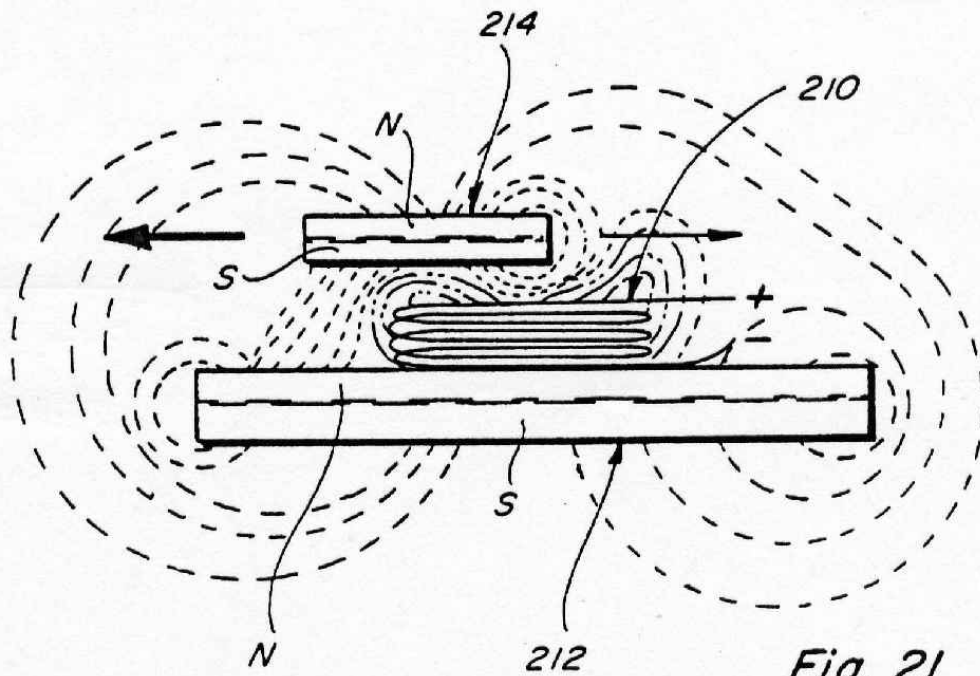


Fig. 21

MAGNETIC MOTOR CONSTRUCTION

BACKGROUND OF THE INVENTION

The present invention is an improvement over the inventions disclosed in Flynn et al and Flynn pending patent applications Ser. Nos. 07/322,121 and 07/828,703, filed Mar. 13, 1988 and Jan. 31, 1992 respectively. The devices disclosed in the pending applications relate to means to produce useful energy using permanent magnets as the driving source. This is also true of the present invention which represents an important improvement over the known constructions and one which is simpler to construct, can be made to be self starting, is easier to adjust, and is less likely to get out of adjustment. The present construction is also relatively easy to control, is relatively stable and produces an amazing amount of output energy considering the source of driving energy that is used. The present construction, like the constructions disclose in the earlier applications, makes use of permanent magnets as the source of driving energy but teaches a novel means of controlling the magnetic interaction or coupling between the magnet members and in a manner which is relatively rugged, produces a substantial amount of output energy and torque, and in a device capable of being used to generate substantial amounts of energy that is useful for many different purposes.

The present invention resides in a fixed support structure having one or more fixed permanent magnets such as an annular permanent magnet mounted thereon with the pole faces of the permanent magnet located adjacent opposite faces thereof. The device has one or a plurality of relatively flat coils arranged in a coplanar manner about the periphery on one of the opposite faces of the fixed permanent magnet, and it has means for journaling a shaft member that extends through the permanent magnet with one or more other permanent magnet members attached thereto at spaced locations, each of the one or more spaced magnets having one of its magnetic poles positioned adjacent to the fixed permanent magnet with the plane of the coils positioned therebetween, the spaced permanent magnets and the fixed permanent magnet having their polarities arranged to produce a magnetic interaction such as magnetic coupling or magnetic repulsion therebetween. The device also includes journal means for supporting the shaft member and the spaced permanent magnet members for rotation relative to the fixed magnet and to the coils thereon, and means for selectively and sequentially energizing the coils located in a plane or space between fixed and movable magnets to predetermine control the magnetic interaction forces between the respective spaced permanent magnet members and the fixed magnet in such a manner as to produce relative rotation therebetween. Various means can be used to control the application of energy to the coils including timer means under control of means mounted on the shaft for rotation therewith and a source of energy. The present construction can be made to be self starting or to be started with some initial help to establish rotation.

OBJECTS OF THE INVENTION

It is a principal object of the present invention to teach the construction and operation of a relatively simple, motor-like device using permanent magnets in an unique manner to generate rotational or other forms of movement.

Another object is to teach the construction and operation of a relatively simple, motor-like device having novel means

for coupling and/or decoupling relatively moveable permanent magnets to produce motion.

Another object is to provide novel means for controlling the coupling and decoupling of relatively moveable permanent magnets.

Another object is to make the generation of rotational energy less expensive and more reliable.

Another object is to teach a novel way of generating energy by varying magnetic interaction forces between permanent magnets.

Another object is to provide an inexpensive way of producing energy.

Another object is to provide a substitute source of energy for use in places where conventional motors, generators and engines are used.

These and other objects and advantages of the present invention will become apparent after considering the following detailed specification of preferred embodiments in conjunction with the accompanying drawings.

BRIEF DESCRIPTION OF THE DRAWINGS

FIG. 1 is a side elevational view of a magnetically powered device constructed according to the present invention;

FIG. 2 is an exploded view of the device shown in FIG. 1;

FIG. 3 is a fragmentary elevational view showing a relationship between one of the movable magnet members and the non-movable magnet member in one position of the device;

FIG. 4 is a view similar to FIG. 3 but showing the relationship between the other of the movable magnet members and the non-movable magnet member in the same position of the device;

FIG. 5 is a fragmentary view similar to FIG. 3 but showing a repulsion interaction between the relatively movable permanent magnet members;

FIG. 6 is a view similar to FIG. 4 for the condition shown in FIG. 5;

FIG. 7 is a side elevational view showing another embodiment of the subject device which is capable of producing even greater energy and torque;

FIG. 8 is a fragmentary elevational view similar to FIG. 3 for the device of FIG. 7;

FIG. 9 is a view similar to FIG. 4 for the construction shown in FIG. 7;

FIG. 10 is a view similar to FIG. 3 for the device shown in FIG. 7 but with the polarity of one of the fixed permanent magnet members reversed relative thereto;

FIG. 11 is a fragmentary view similar to FIG. 4 for the device as shown in FIGS. 7 and 10;

FIG. 12 is a side elevational view of another embodiment of the device;

FIG. 13 is a schematic circuit diagram of the circuit for the devices of FIGS. 1, 7 and 12;

FIG. 14 is a perspective view of another embodiment of the subject device;

FIG. 15 is a simplified embodiment of the device showing the use of one rotating magnetic member and one coil positioned in the plane between the rotating and stationary magnetic members;

FIG. 16 is a simplified embodiment of the device showing